



The PIR occupancy sensor uses PIR Motion Detector, Architecture and passive infrared (PIR) technology for improved detection coverage for ceiling or fixture mount, high bay, and low bay applications.

OVERVIEW

- PIR sensor.
- Bluetooth® SIG mesh.
- High-End Trim, Zoning, Continuous Bi-level Dimming.
- LED Motion indicator.
- Mounting height up to 40 ft .
- 360° coverage pattern.
- Line Voltage connector.

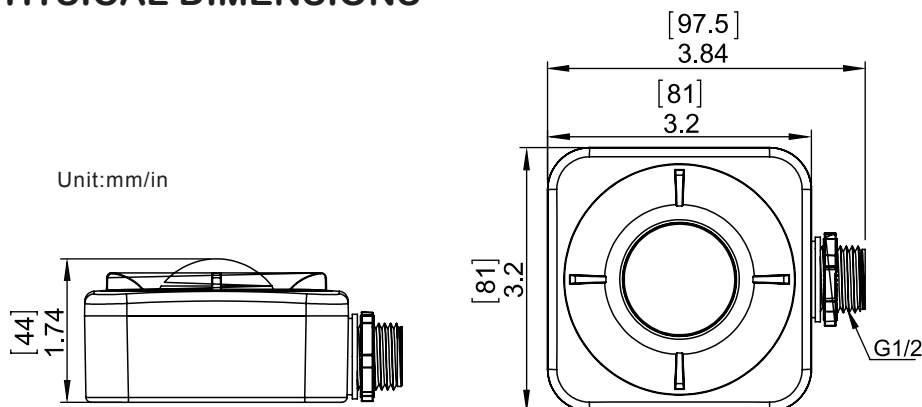
FEATURES AND BENEFITS

- Bluetooth mesh network.
- Built-in 25mA 0-10V signal output.
- Mesh network, which has a much longer control distance, transmits received signals to neighboring devices.
- In typical outdoor environment, the typical range for wireless communication is 200ft(60m).
- Actual range is dependent on site conditions.
- Available with Magnetic reset (Touch the top part of sensor for 5 seconds).
- On-board antenna.

TECHNICAL DATA

Motion Sensor	Passive Infrared (PIR)
Input Power	120/277VAC 50/60Hz
Control Output	0-10V,max 25mA sinking current
Maximum Load	Resistive/Tungsten - 600W@120V Electronic Ballast - 800W@120V/1200W@277V
Detection angle	360°
Low Bay Lens	Max.detection radius 30ft; Max.mounting height 25ft
High Bay Lens	Max.detection radius 30ft; Max.mounting height 40ft
Operating temperature	-40°F ~ +167°F (-40°C ~ +75°C)
Max Bluetooth Range	200ft(60m)
IP Rating	IP65

PHYSICAL DIMENSIONS

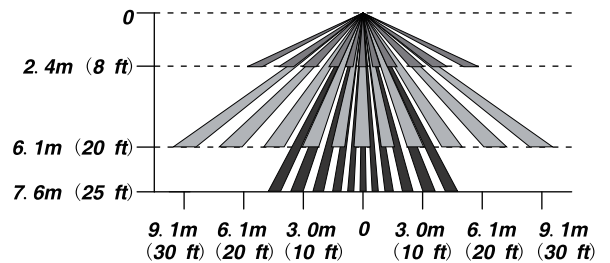
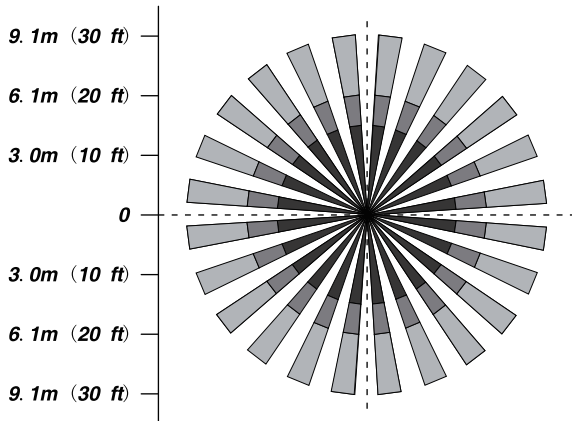


ORDERING INFORMATION

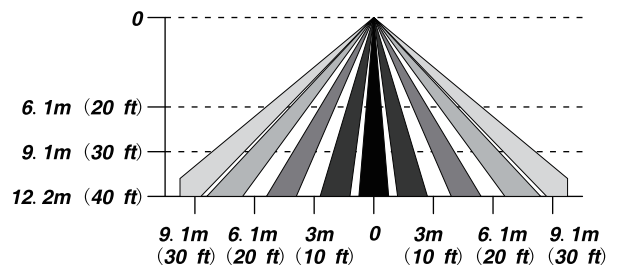
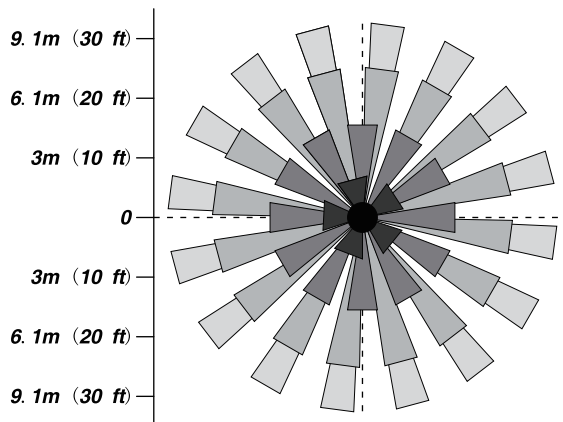
Model No.	Description	Input Voltage	Output	Mount
BMS-S819P-PIR-1-BLE-SR-SMO	Passive Infrared (PIR) Occupancy Sensor with Bluetooth Mesh Feature	120/277VAC	0-10V	Chase Nipple Side Mount Enclosure for IP65
Add Suffix for Options	Description			
LS02-LB5-WH	360° Low Bay Lens, Max.detection radius 30ft; Max.mounting height 25ft, white color			
LS02-HB6-WH	360° High Bay Lens, Max.detection radius 30ft; Max.mounting height 40ft, white color			

DETECTION AREA

LOW BAY LENS 360°



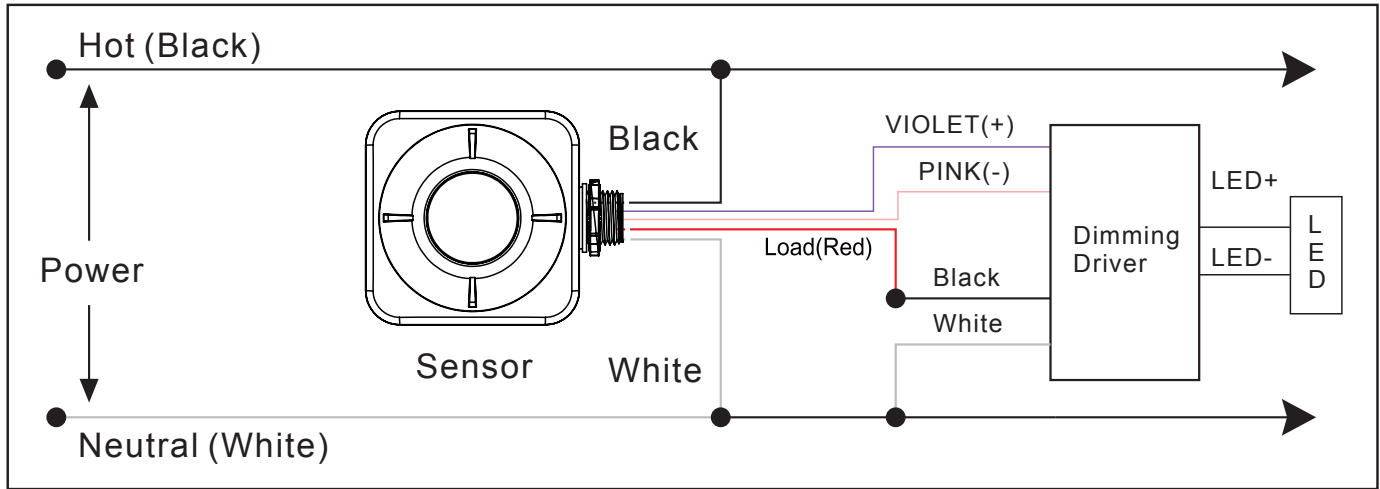
HIGH BAY LENS 360°



TOP VIEW

SIDE VIEW

WIRING DIAGRAM



Ref#: 20240627

WARRANTY

Five year limited warranty.

Specifications subject to change without notice.